

6

5

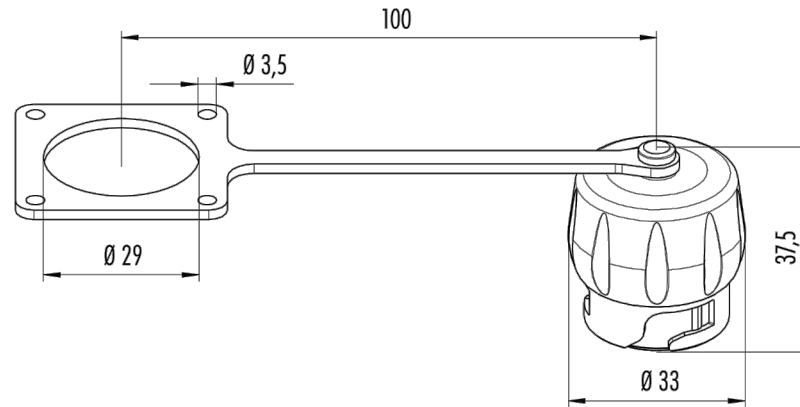
4

3

2

1

RoHS
COMPLIANT



NOTE: FOR USE WITH PDI P/N: PD-HEC-FPC

REV	DATE	CHNG	CHK	APPR

TOLERANCE UNLESS OTHERWISE SPECIFIED	
X	± 1
X.X	± 0.4
X.XX	± 0.13
DRAWN BY	PB
DATE:	7/29/14
CHECK BY	
DATE:	
APPR BY	
DATE:	

Power Dynamics, Inc.	
Phone: 973 560-0019 Whippany, New Jersey Fax: 973 560-0076	
PART: PROTECTION CAP FOR HEC FEMALE PANEL CONNECTOR	
PD-HEC-FPC-CAP	
SHEET 1 of 1	
PART #:	
SIZE: A	ALL DIMENSIONS FOR REFERENCE ONLY DIMENSIONS ARE IN MILLIMETERS
SCALE: NTS	REV:

6

5

4

3

2

1

A

A

D

D

C

C

B

B